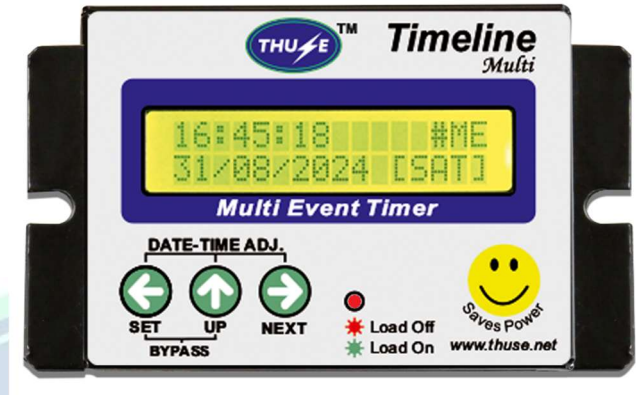


# Thuse Electronics P.Ltd.

Electronics OEM Mfg. Since 1989, Plot #33A, Sector-7, PCNTDA, Bhosari MIDC, Pune 411026. Contact: +91 20 6733 3444 , +91 8888 151 151

## Timeline Multi Event Timer

### User Manual + Warranty Information



## Timeline Multi Event Timer

### Product Overview:

- Timeline Multi Event Timer is an event based pre-settable timer in which user can feed a schedule of multiple events at once and, thereby the timer will turn the load ON/OFF as per the given schedule of events.
- If the load is OFF, and the user wants to manually turn ON the load, or vice versa, the user can enable the Bypass Mode and get it done. In Multi Event Timer, the bypass mode once enabled, lasts as long as someone doesn't exit the timer from bypass mode, after which the timer resumes it's schedule.

### Salient Features

- 16x2 LCD display and 3 keys for user
- 50 programmable events per day
- Weekdays setting for each event.
- 20 user programmable holiday dates
- 10 user programmable holiday date ranges
- Programmable event ON duration
- Bypass mode for manual override
- 8-10 Years of battery backup for internal clock

### Specifications

- **Supply Voltage:** 90V AC to 440V AC, 50 Hz, 1 Ø
- **Max. Current Rating:** 30A @ 230V AC (Resistive)
- **Dimensions (mm):** 117 x 65 x 60
- **Temperature Range:** 5 °C to 48 °C
- **Max. Humidity:** 85% Rh
- **Compliant To the following IEC standards:**
  - IEC 61000-4-4
  - IEC 61000-4-5
  - IEC 61000-4-11
  - IEC 61000-4-14
  - IEC 61000-4-28

# Thuse Electronics P.Ltd.

Electronics OEM Mfg. Since 1989, Plot #33A, Sector-7, PCNTDA, Bhosari MIDC, Pune 411026. Contact: +91 20 6733 3444 , +91 8888 151 151

Developed mainly for:

- **Factory sirens, Office tea time/lunch time bell, industrial loads, etc.** control in pre-scheduled manner even taking care of individual holidays and holiday ranges.

## Operating Instructions:

### 1. To Set/Change Current Date or Time

Step	Operation	Key	Display
1	To enter/change current date and current time	Press and hold <b>(SET+UP+NEXT)</b> keys for 2 seconds	'Date' field of current date blinks <b>(DD:MM:YY)</b>
2	To change the value of blinking field	Press <b>(UP)</b> key	Value corresponding to blinking field increases
3	To move the cursor to next field	Press <b>(NEXT)</b> Key	Next field blinks
4	To save and exit from current date/time settings	Press <b>(NEXT)</b> key till blinking cursor is at the last field and press <b>(NEXT)</b> key one more time	' <b>SETTINGS SAVED</b> ' message flashes

**\*Note: If settings are left incomplete (no key is pressed within 10 seconds after entering current date and time settings), whatever settings done so far will automatically get saved after 10 seconds and the timer will exit from current date and time settings.**

### 2. Entering Into Bypass Mode

Step	Operation	Key	Display
1	To enter into/exit from Bypass Mode	Either <b>press and hold (SET+UP)</b> key <b>press and hold only (UP)</b> key for 2 seconds	' <b>BYPASS MODE</b> ' is displayed, which means Bypass Mode is enabled. ' <b>EXITING BYPASS MODE...</b> ' is displayed, while exiting from bypass mode and then default display appears.

- **\*Note:** Bypass mode is used for manually turning ON the load if the load is OFF or vice versa. In Multi Event Timer, the bypass mode once enabled, lasts as long as someone doesn't exit the timer from bypass mode, after which the timer resumes its schedule.

# Thuse Electronics P.Ltd.

Electronics OEM Mfg. Since 1989, Plot #33A, Sector-7, PCNTDA, Bhosari MIDC, Pune 411026. Contact: +91 20 6733 3444 , +91 8888 151 151

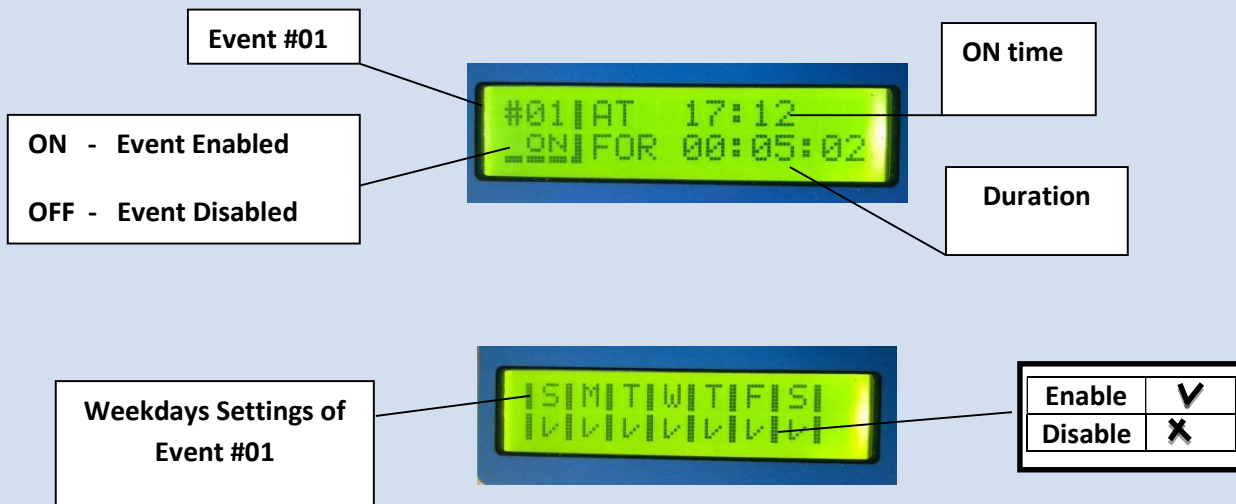
## 3. To VIEW/EDIT events

Step	Operation	Key	Display
1	To enter main menu	Press and hold <b>(SET)</b> key for 2 seconds	' MENU: '   '> VIEW/EDIT '
2	To scroll menu items	Press <b>UP</b> key	' MENU: '   '> HOLIDAY RANGE '

Pressing 'UP' key shows next menu item in the list

3	To enter/change VIEW/EDIT event settings	Press <b>(NEXT)</b> key when 'VIEW/ EDIT' option is on screen	<div style="border: 1px solid black; padding: 5px;">                     '#01   AT        HH:MM' &lt;br&gt;                     'OFF  FOR     HH:MM:YY' &lt;br&gt;                     &lt;br&gt;                     And &lt;br&gt;                     'S   M   T   W   T   F   S  ' &lt;br&gt;                     'X   V   X   V   X   V   V  ' &lt;br&gt;                     Alternately                 </div>
---	--	---	---

Settings of Event No. 1 are shown on Display. This is VIEW mode.



4	To view next event in the list	Press <b>UP</b> key	<div style="border: 1px solid black; padding: 5px;">                     '#02   AT        HH:MM' &lt;br&gt;                     'OFF  FOR     HH:MM:SS' &lt;br&gt;                     &lt;br&gt;                     And &lt;br&gt;                     'S   M   T   W   T   F   S  ' &lt;br&gt;                     'X   V   X   V   X   V   V  ' &lt;br&gt;                     Alternately                 </div>
---	--------------------------------	---------------------	---

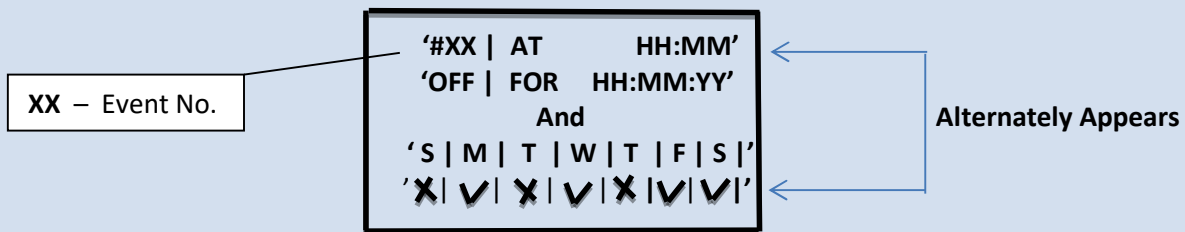
\*Event which is currently being displayed can be edited right there by pressing 'NEXT' key

# Thuse Electronics P.Ltd.

Electronics OEM Mfg. Since 1989, Plot #33A, Sector-7, PCNTDA, Bhosari MIDC, Pune 411026. Contact: +91 20 6733 3444 , +91 8888 151 151

5	To edit event currently displayed	Press <b>(NEXT)</b> key	'OFF' field of displayed event blinks
Step	Operation	Key	Display
6	To change the value of blinking field	Press <b>(UP)</b> key	Value of blinking field changes
7	To move to next field	Press <b>(NEXT)</b> key	Next field blinks
<p><b>*Similarly, all fields can be edited. After duration is set, weekdays settings for the same event is displayed</b>  '<b>S   M   T   W   T   F   S  </b>'  '<b>x   x   x   x   x   x   x  </b>'  <b>First Cross mark of Sunday blinks.</b></p>			
8	To change the value of blinking field ( <b>X</b> or <b>✓</b> )	Press <b>(UP)</b> key	Value of blinking field changes
9	To move to next Field	Press <b>(NEXT)</b> key	Next field blinks

Once all days are set, press the **(NEXT)** key, thus 'CHANGES SAVED' message is displayed and control is sent back to 'VIEW' Mode with display as:



Now, you can press **UP** key to **VIEW** event

Also, Pressing **(SET)** key anywhere in the Menu takes the settings one step back by automatically saving the current changes.

10	To exit from VIEW/EDIT option	Press <b>(SET)</b> key	' MENU:' ' > VIEW/EDIT '
11	To exit from the menu	Press and hold <b>(SET)</b> key for 2 seconds	'HH:MM:SS' 'DD/MM/YY [DAY]'

Default display contents are

```

'HH:MM:SS '
'DD/MM/YY [DAY]'
    
```

Also, upcoming event is shown alternately for 4 seconds.

## 4. View/Edit Holiday Range Settings

# Thuse Electronics P.Ltd.

Electronics OEM Mfg. Since 1989, Plot #33A, Sector-7, PCNTDA, Bhosari MIDC, Pune 411026. Contact: +91 20 6733 3444 , +91 8888 151 151

Step	Operation	Key	Display
1	To enter main menu	Press and hold (SET) key for 2 seconds	' MENU: '   '> VIEW/EDIT '
2	To scroll menu items	Press (UP) key	' MENU: '   '> HOLIDAY RANGE '
Step	Operation	Key	Display
3	To enter 'HOLIDAY RANGE' settings	Press (NEXT) key	'#01  FRM DD/MM/YY'   'OFF  TO DD/MM/YY'

This is VIEW mode.

Range #01

Start

End Date

ON - HOLIDAY RANGE ENABLED

OFF - HOLIDAY RANGE DISABLED

4	To view next holiday range in the list	Press (UP) key	'#02  FRM DD/MM/YY'   'OFF  TO DD/MM/YY'
<b>*Holiday range which is currently being displayed can be edited right there by pressing 'NEXT' key</b>			
5	To edit holiday range info currently displayed on LCD	Press (NEXT) key	'OFF' field of current holiday range blinks
6	To change the value of blinking field	Press (UP) key	Value of blinking field changes
7	To move to the next field	Press (NEXT) key	Next field blinks
<b>*Similarly, all fields can be edited. After last field is set by pressing (NEXT) key, changes are saved and control is back to VIEW mode.</b>			
8	To exit from holiday settings	Press (SET) key	'MENU: '   '> HOLIDAY RANGE '
9	To exit from the menu	Press and hold (SET) key for 2 seconds	'HH:MM:SS '   'DD/MM/YY [DAY] '

**\*Note:**

- Pressing (SET) key anywhere in the Menu takes the settings one step back by automatically saving the current changes.
- If settings are left incomplete (No key is pressed for 2 minutes), whatever setting done so far will automatically get saved after 2 minutes and setting mode exits.

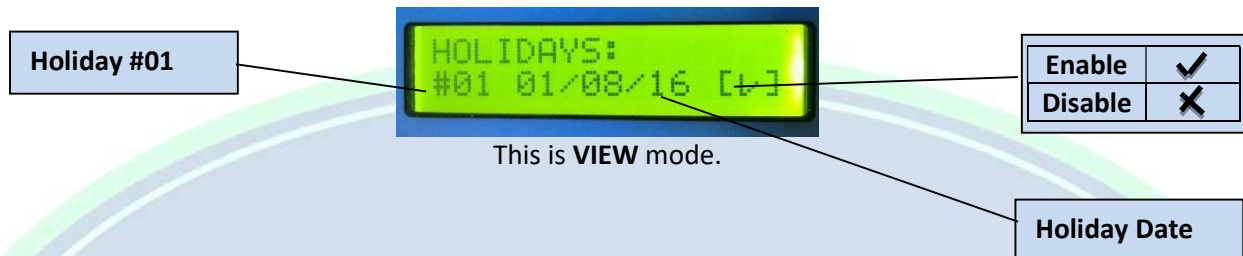
**5. View/Edit Individual Holiday Settings**

Step	Operation	Key	Display
1	To enter main menu	Press and hold (SET) key for 2 seconds	' MENU: '   '> VIEW/EDIT '

# Thuse Electronics P.Ltd.

Electronics OEM Mfg. Since 1989, Plot #33A, Sector-7, PCNTDA, Bhosari MIDC, Pune 411026. Contact: +91 20 6733 3444 , +91 8888 151 151

2	To scroll menu items	Press <b>(UP)</b> key	'MENU: '> HOLIDAY'
3	To enter 'HOLIDAY' settings	Press <b>(NEXT)</b> key	'HOLIDAYS: '#01 DD/MM/YY [x]'



Step	Operation	Key	Display
4	To view next holiday in the list	Press <b>(UP)</b> key	'HOLIDAYS:' '#02 DD/MM/YY [x]'
<b>*Holiday info which is currently being displayed can be edited right there by pressing 'NEXT' key</b>			
5	To edit holiday info currently displayed on LCD	Press <b>(NEXT)</b> key	'DD' of Date field blinks
6	To change the value of blinking field	Press <b>(UP)</b> key	Value of blinking field changes
7	To move to the next field	Press <b>(NEXT)</b> key	Next field blinks
<b>*Similarly, all fields can be edited. After last field (cross/tick) is set, changes are saved and control is back to VIEW mode.</b>			
8	To exit from holiday settings	Press <b>(SET)</b> key	'MENU:' '> HOLIDAY'
9	To exit from the menu	Press and hold <b>(SET)</b> key for 2 seconds	Default display as 'HH:MM:SS' 'DD/MM/YY [DAY]'

**\*Note:**

- Pressing **(SET)** key anywhere in the Menu takes the settings one step back by automatically saving the current changes.
- If settings are left incomplete (No key is pressed for 2 minutes), whatever setting done so far will automatically get saved after 2 minutes and setting mode exits.

# Thuse Electronics P.Ltd.

Electronics OEM Mfg. Since 1989, Plot #33A, Sector-7, PCNTDA, Bhosari MIDC, Pune 411026. Contact: +91 20 6733 3444 , +91 8888 151 151

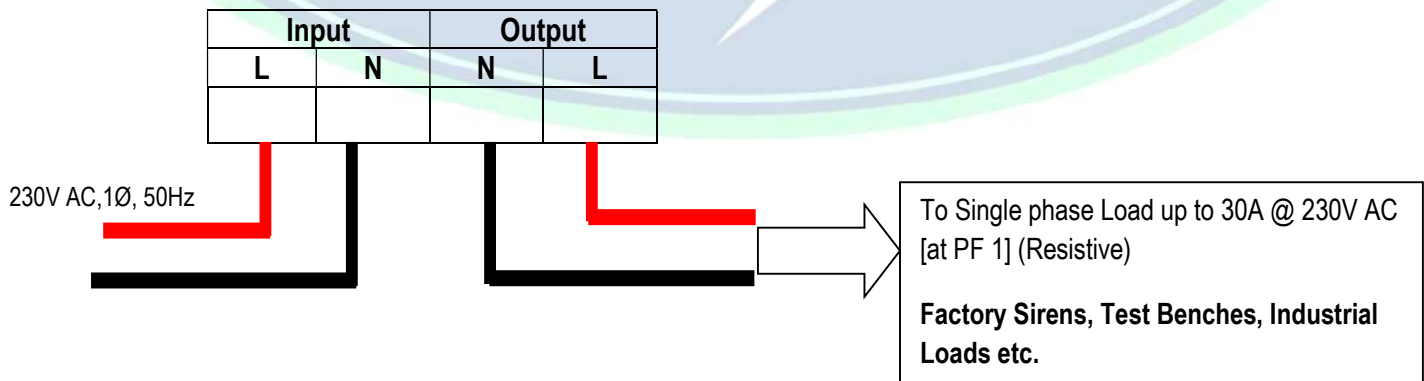
## Product Photo & Dimensions:



Note: Image for reference only. You need to connect input power supply to the timer for it to work.

## Wiring Guide:

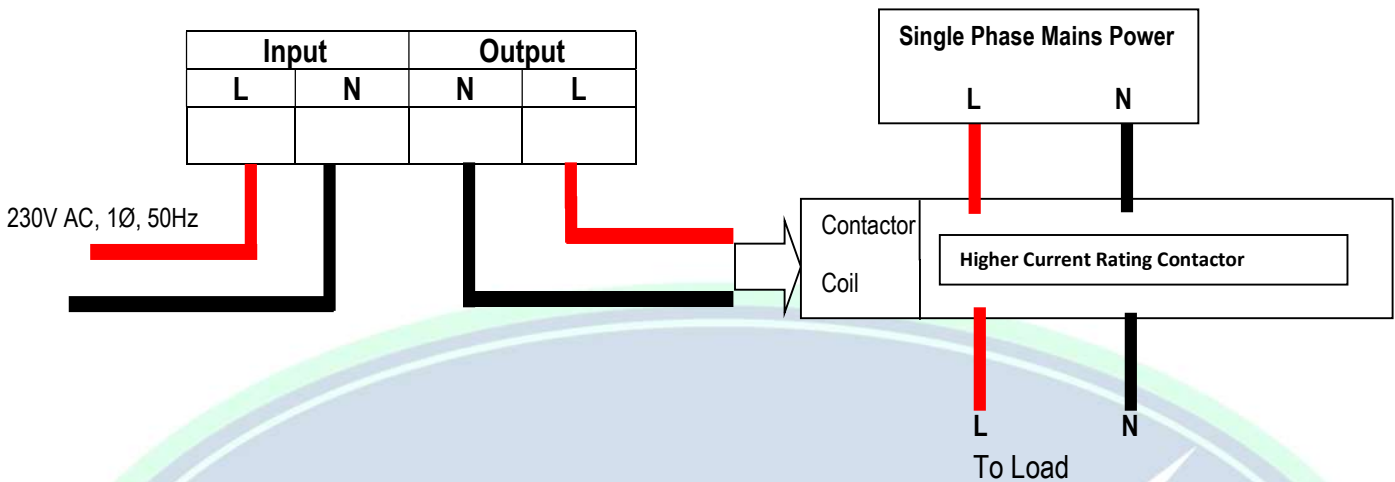
- Terminal Connections for single phase load up to 30A @ 230V AC [at PF 1] (Resistive) (Read Note Below\*):



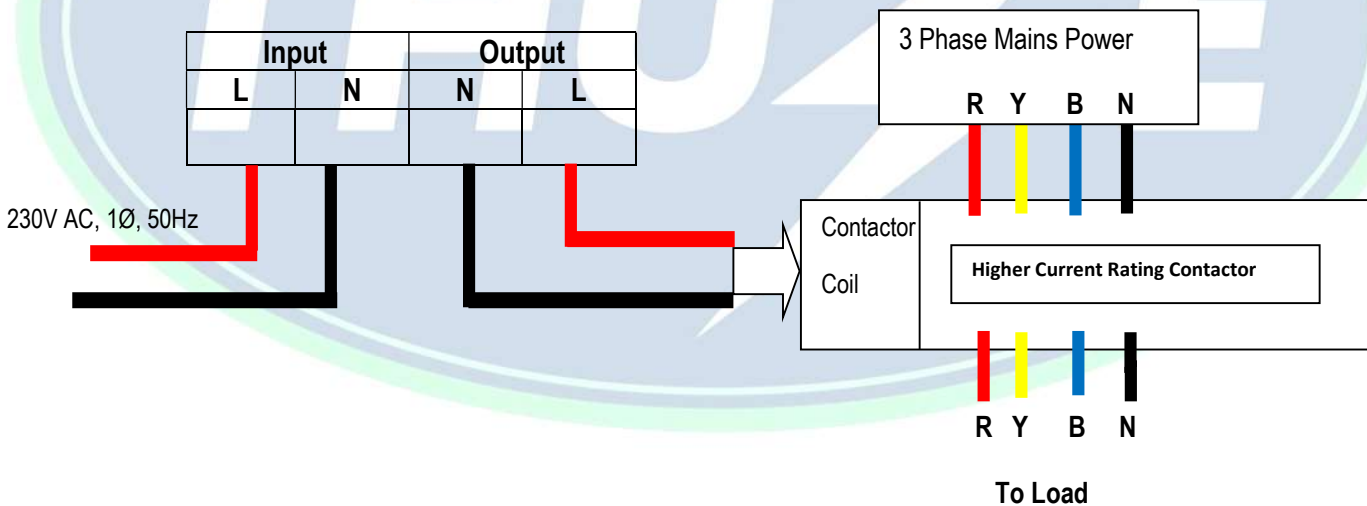
# Thuse Electronics P.Ltd.

Electronics OEM Mfg. Since 1989, Plot #33A, Sector-7, PCNTDA, Bhosari MIDC, Pune 411026. Contact: +91 20 6733 3444 , +91 8888 151 151

- Terminal Connections for single phase load more than above mentioned current rating (Read Notes Below\*):



- Terminal Connections for 3 Phase Load (Read Notes Below\*):



## \*Notes:

1) In case you're going to connect a contactor coil to the timer's output as shown above, please connect a 1uF/400V AC MPP or any equivalent capacitor across the output of the timer, to eliminate any problems due to back-emf from the contactor's coil. You may purchase such capacitor locally in your market or can even buy from us at an additional cost. Please contact our customer care (+91 8888 151 151, [business@thuse.net](mailto:business@thuse.net)) in case you need to purchase the capacitor from us.



# Thuse Electronics P.Ltd.

Electronics OEM Mfg. Since 1989, Plot #33A, Sector-7, PCNTDA, Bhosari MIDC, Pune 411026. Contact: +91 20 6733 3444 , +91 8888 151 151

**2) In view of continuous improvement, we reserve the right to change/alter the specifications without prior notice / intimation.**

## **Product installation & usage recommendations:**

- 1) Install in a cool and a dry place and in a covered area.
- 2) Avoid direct exposure to rain, water, dust, direct sunlight and various other environmental factors.
- 3) Keep away from children. Install in a safe place to prevent any unauthorized access/tampering to the timer.
- 4) Minimum 5 to 7 meters of distance to be maintained between installation of Timeline Multi Event Timer unit & gong bell/factory siren.
- 5) Timeline Multi Event Timer works in 24H clock format only and not in 12H clock format, so please enter any timings accordingly in the 24H format.
- 6) Do not attempt to open the enclosure of the product while it's in use. Risk of electric shock if opened.
- 7) Product installations to be done by skilled electrical technicians only. Refer to wiring guide above for installation.
- 8) No user serviceable part inside the product. However, you may contact our customer service (+91 8888 151 151, [business@thuse.net](mailto:business@thuse.net)) if you want any assistance.
- 9) Do not operate the product beyond it's specified operating limits.

## **Warranty Information:**

This product is covered for 12 months of warranty from the date of purchase. Warranty is covered as per Legal Disclaimer & Warranty Terms mentioned below :-

### **Legal Disclaimer:**

- 1.) Manufacturer takes no direct, indirect or any type of consequential liability of whatsoever nature under any condition, by using Timeline Multi Event Timer.
- 2.) Product has to be used in a specific way and for the specified purposes well specified in user's operating instructions. Any deviation/s found in usage may cause malfunction in the product may lead to any kind of failures for which warranty will not be extended.
- 3.) Transaction/s of Supply of Timeline Multi Event Timer is subject to Pune Jurisdiction only
- 4.) Thuse Electronics P. Ltd. owes liability of this product not exceeding the selling price of the product, in case of any warranty claim.

### **Terms of Warranty:**

- 1.) One year warranty from the date of original purchase against any kind of manufacturing defect shall apply.
- 2.) Warranty starts from the date of your purchase bill.
- 3.) Manufacturer reserves the rights to repair or replace Timeline Multi Event Timer.
- 4.) Any kind of warranty claim arising due to misuse, physical damage, water damage, wrong connections, damages due to short circuit, unauthorized service attempts or fiddling would not be covered under warranty and would result in termination of warranty.
- 5.) Warranty liability on seller is limited to a maximum amount of selling price of the product. No consequential and indirect compensations are payable by the seller under any condition.
- 6.) Warranty is Carry In Type warranty. Customer needs to send the product for service at manufacturer's factory location at his/ her cost with copy of original purchase bill. After necessary service the same will be returned back to the customer by manufacturer at their cost..

An ISO 9001:2015 Company  
Reg.Number:RQ91/11370

[business@thuse.net](mailto:business@thuse.net)  
[www.thuse.net](http://www.thuse.net)