

Thuse Electronics P.Ltd.

Electronics OEM Mfg. Since 1989, Plot #33A, Sector-7, PCNTDA, Bhosari MIDC, Pune 411026. Contact: +91 20 6733 3444, +91 8888 151 151

Timeline Astronomical Budget Timer

User Manual & Warranty Information



Orange LED for Voltage Fault & Recovery indication

Bicolor LED for Load status and Battery status indication

Press & hold to enter into Bypass Mode. Release to exit from Bypass Mode.

Features/Description:

1. Astronomical timer switch with low cost minimal form factor with hi-low voltage trip feature.
2. Lights are operated exactly at sunrise/sunset time, which are calculated on day-to-day basis depending upon GPS coordinates fed in the program. This ensures energy saving.
3. Bypass mode for manual override (to forcibly switch ON or OFF lights manually).
4. Simple interface with key and 2 LEDs for indications.
5. Load status indication with bicolor (RED/GREEN) LED.
6. Distinguishable LED indication for Load operation and Voltage fault conditions.
7. LED indications:
 - **RED:** load OFF
 - **GREEN:** load ON
 - **ORANGE Blinking:** Voltage Fault (Either Timer is in Cutoff State or in Recovery Delay State).
 - **RED/GREEN Fast Blinking:** Battery low

Applications:

For Astronomical operation of light switching at:-

Thuse Electronics P.Ltd.

Electronics OEM Mfg. Since 1989, Plot #33A, Sector-7, PCNTDA, Bhosari MIDC, Pune 411026. Contact: +91 20 6733 3444, +91 8888 151 151

- Parking lots, Street Lights, Corridor Lights
- Garage Lights, Garden Lights, Housing Societies, School, Colleges, Factories, Shop Hoardings
- Loads which needs to turn ON at Sunset and turn OFF at Sunrise

1. Bypass Mode Settings

Step	Operation	Key	LED indications
1	To Enter Into Bypass Mode (To manually switch ON the load if the load is OFF or to manually switch OFF the load if the load is ON)	Press & Hold the bypass key	Red LED turns Green
2	To Exit From Bypass Mode	Release the bypass key	Green LED turns Red

Note: Bypass mode is used to manually turn ON the load if the load is OFF or turn OFF the load if the load is ON.

LED indications:

LED	LED status	Indicates
Orange	Slow Blinking	Voltage fault occurred
	Fast Blinking	Recovering from voltage fault
Bicolor	Red LED On	Load is in powered OFF state
	Green LED On	Load is in powered ON state
	Red/Green LED Fast blinking	Battery Low

Thuse Electronics P.Ltd.

Electronics OEM Mfg. Since 1989, Plot #33A, Sector-7, PCNTDA, Bhosari MIDC, Pune 411026. Contact: +91 20 6733 3444, +91 8888 151 151

Specifications:

Input Operating Voltage	140V AC to 440V AC, 50 Hz, Single Phase
Max. Contact Rating	8A Resistive @ 230V AC [at PF 1] (Resistive)
Hi-Low Voltage Trip	Low Trip: 150V AC, High Trip: 300V AC @ 50Hz Orange LED Blinks (during cutoff state and recovery delay)
Temperature Range	5 °C to 48 °C
Max. Humidity	85% Rh
IEC Standard Compliance	IEC 61000-4-4, IEC 61000-4-5, IEC 61000-4-11, IEC 61000-4-14, IEC 61000-4-28

Product Photo & Dimensions:

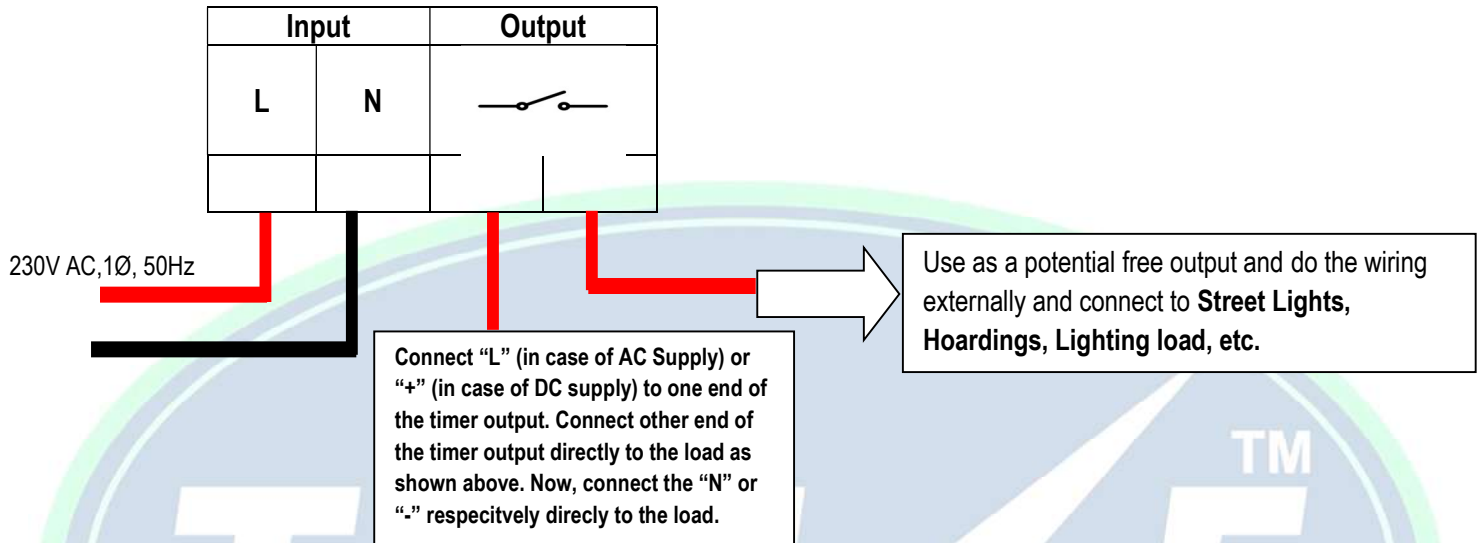


Thuse Electronics P.Ltd.

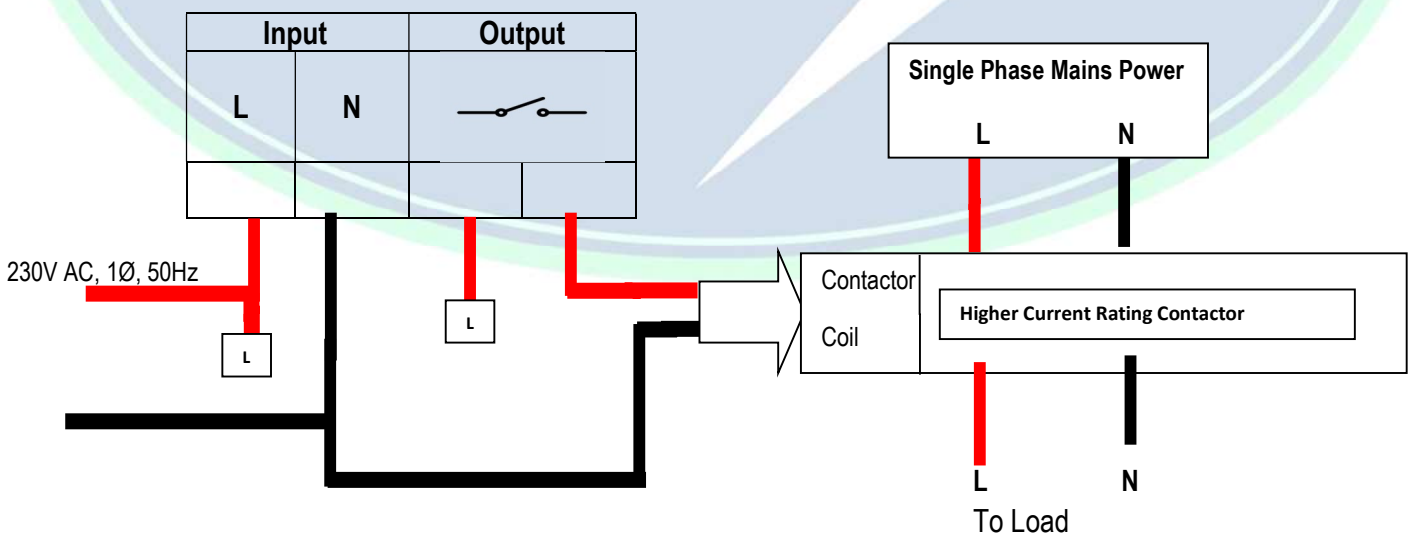
Electronics OEM Mfg. Since 1989, Plot #33A, Sector-7, PCNTDA, Bhosari MIDC, Pune 411026. Contact: +91 20 6733 3444, +91 8888 151 151

Wiring Guide:

- Terminal Connections for single phase load up to 8A @ 230V AC [at PF 1] (Resistive) or 8A @ 28VDC (Read Note 1 Below*):



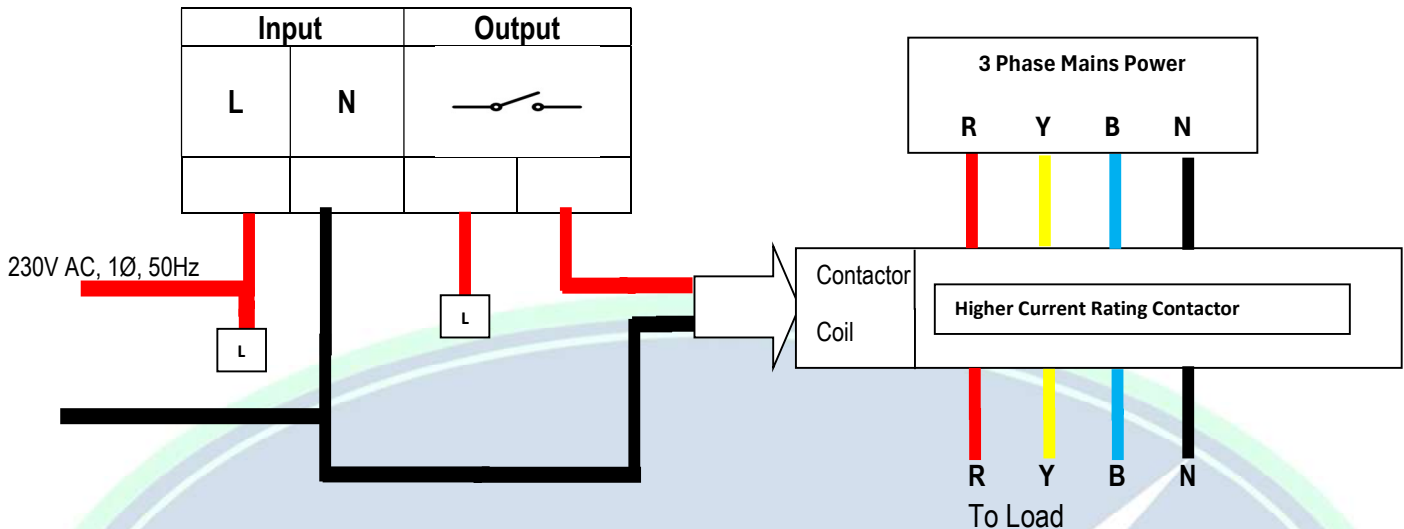
- Terminal Connections for single phase load more than above mentioned AC current rating (Read Notes 1 & 2 Below*):



Thuse Electronics P.Ltd.

Electronics OEM Mfg. Since 1989, Plot #33A, Sector-7, PCNTDA, Bhosari MIDC, Pune 411026. Contact: +91 20 6733 3444, +91 8888 151 151

- Terminal Connections for 3 Phase Load (Read Notes 1 & 2 Below*):]



*Notes:

- 1) You may receive the timer with 0.5 sqmm cables for input-output power connection, instead of a 4 pin terminal connector. In that case the concept of wiring remains the same as shown above, but however, the black cloured Neutral cable remains common for input and output connections.
- 2) In case you're going to connect a contactor coil to the timer's output as shown above, please connect a 1uF/400V AC MPP or any equivalent capacitor across the output of the timer, to eliminate any problems due to back-emf from the contactor's coil. You may purchase such capacitor locally in your market or can even buy from us at an additional cost. Please contact our customer care (+91 8888 151 151, business@thuse.net) in case you need to purchase the capacitor from us.
- 3) In view of continuous improvement, we reserve the right to change/alter the specifications without prior notice / intimation.

Product installation & usage recommendations:

- 1) Install in a cool and a dry place and in a covered area.
- 2) Avoid direct exposure to rain, water, dust, direct sunlight and various other environmental factors.
- 3) Keep away from children. Install in a safe place to prevent any unauthorized access/tampering to the timer.

Thuse Electronics P.Ltd.

Electronics OEM Mfg. Since 1989, Plot #33A, Sector-7, PCNTDA, Bhosari MIDC, Pune 411026. Contact: +91 20 6733 3444, +91 8888 151 151

- 4) Timeline Astronomical Streetlight Timer works in 24H clock format only and not in 12H clock format, so please enter any timings accordingly in the 24H format.
- 5) Do not attempt to open the enclosure of the product while it's in use. Risk of electric shock if opened.
- 6) Product installations to be done by skilled electrical technicians only. Refer to wiring guide above for installation.
- 7) No user serviceable part inside the product. However, you may contact our customer service (+91 8888 151 151, business@thuse.net) if you want any assistance.
- 8) Do not operate the product beyond it's specified operating limits.

Warranty Information:

This product is covered for 12 months of warranty from the date of purchase. Warranty is covered as per Legal Disclaimer & Warranty Terms mentioned below :-

Legal Disclaimer:

- 1.) Manufacturer takes no direct, indirect or any type of consequential liability of whatsoever nature under any condition, by using Timeline Budget Timer.
- 2.) Product has to be used in a specific way and for the specified purposes well specified in user's operating instructions. Any deviation/s found in usage may cause malfunction in the product may lead to any kind of failures for which warranty will not be extended.
- 3.) Transaction/s of Supply of Timeline Budget Timer is subject to Pune Jurisdiction only
- 4.) Thuse Electronics P. Ltd. owes liability of this product not exceeding the selling price of the product, in case of any warranty claim.

Terms of Warranty:

- 1.) One year warranty from the date of original purchase against any kind of manufacturing defect shall apply.
- 2.) Warranty starts from the date of your purchase bill.
- 3.) Manufacturer reserves the rights to repair or replace Timeline Budget Timer.
- 4.) Any kind of warranty claim arising due to misuse, physical damage, water damage, wrong connections, damages due to short circuit, unauthorized service attempts or fiddling would not be covered under warranty and would result in termination of warranty.
- 5.) Warranty liability on seller is limited to a maximum amount of selling price of the product. No consequential and indirect compensations are payable by the seller under any condition.
- 6.) Warranty is Carry In Type warranty. Customer needs to send the product for service at manufacturer's factory location at his/ her cost with copy of original purchase bill. After necessary service the same will be returned back to the customer by manufacturer at their cost.